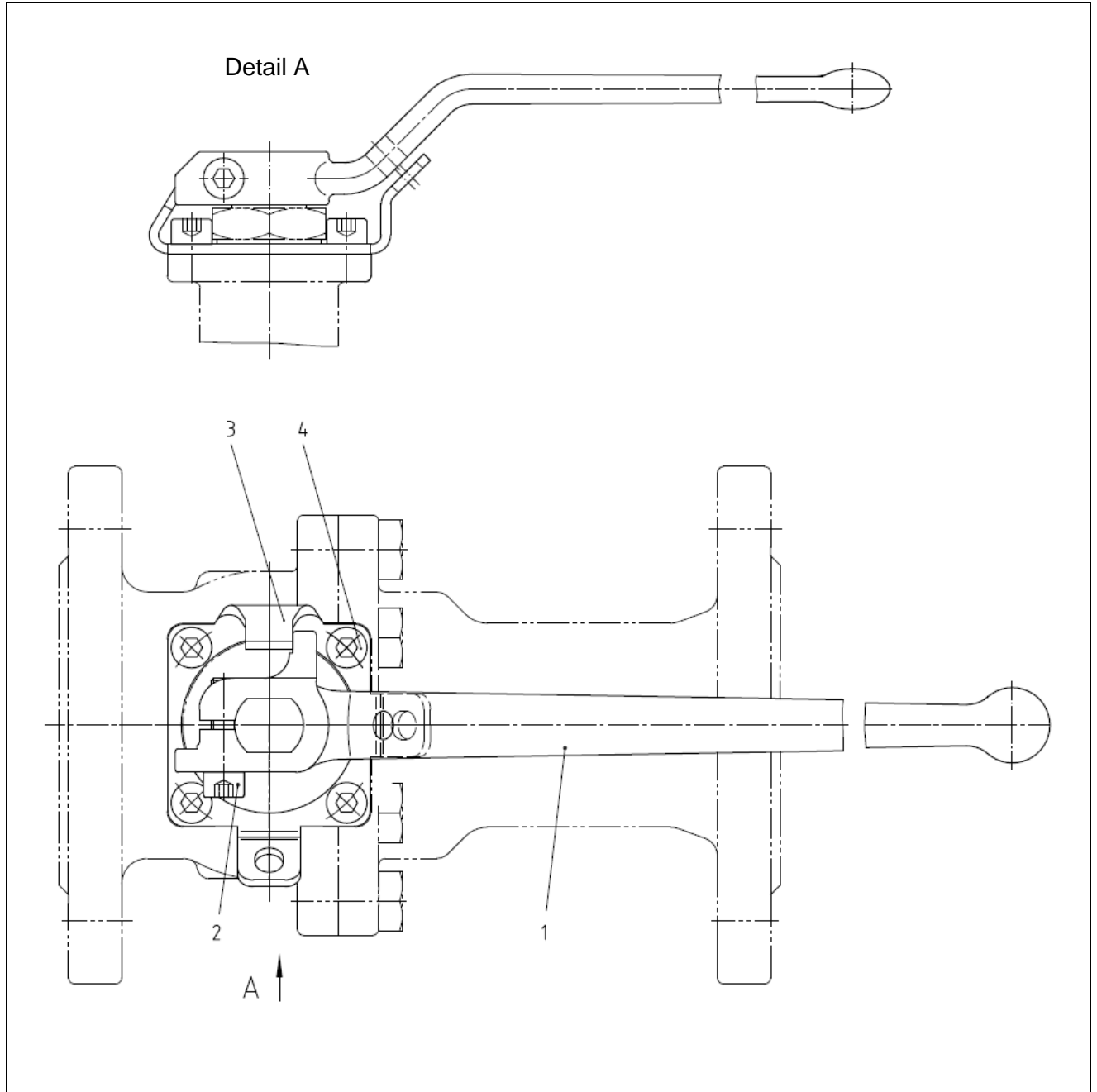


BALL VALVES INTEC

Locking device
INTEC 30, DN15 - DN65



No.	Part	Material
1	lever	1.4408
2	socket screw	A2-70
3	stopper	1.4301
4	socket screw	A2-70

Lock not included in the delivery

Subject to modification. 02/2018